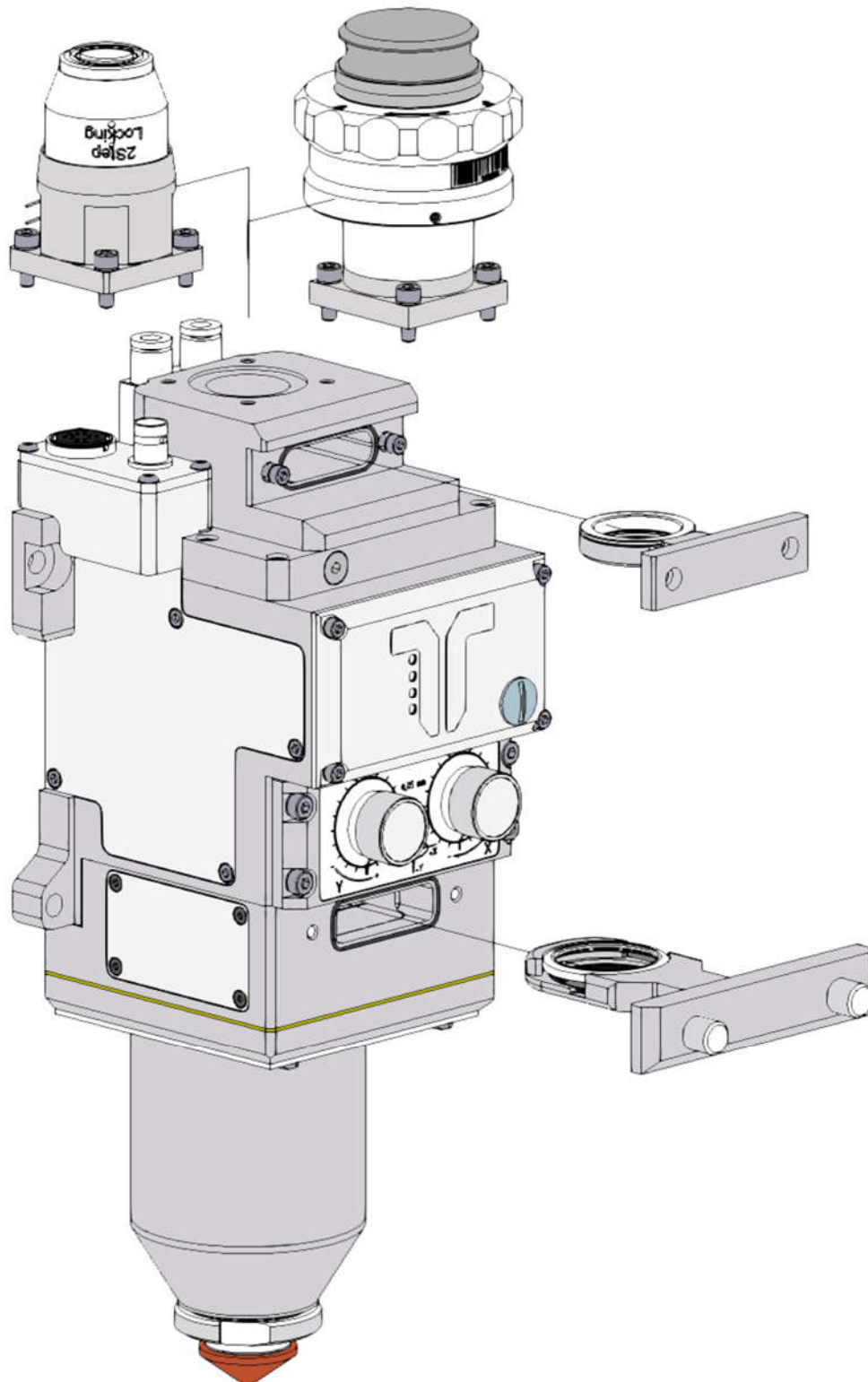
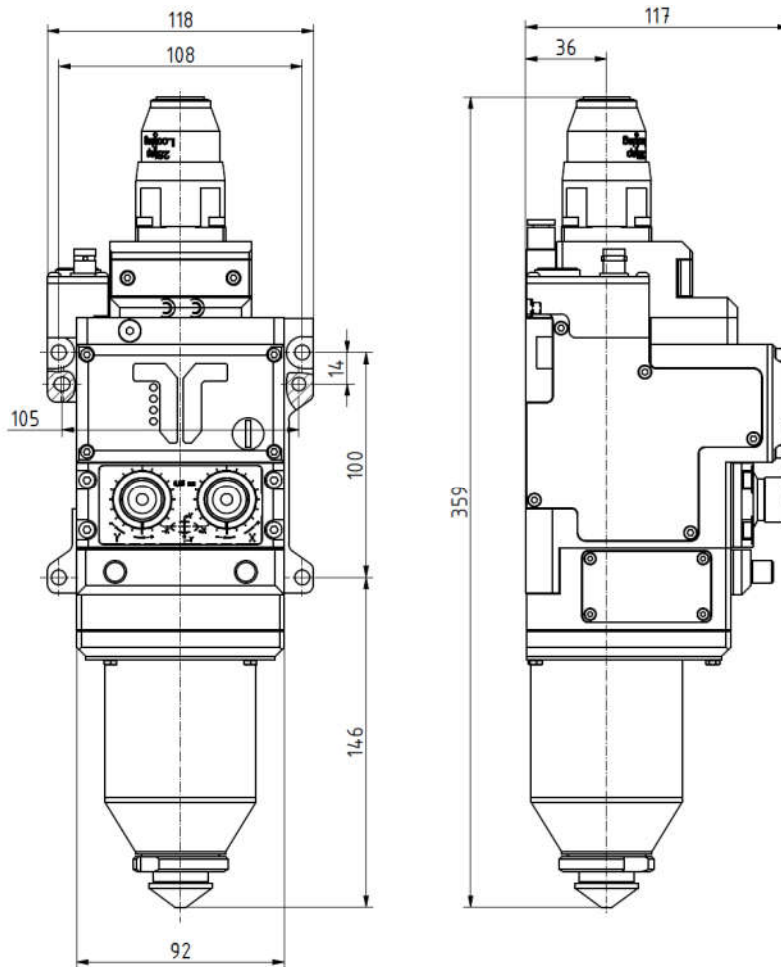


Technical product data EX-TRABEAM Pro

STRUCTURE



DIMENSIONS



OPTICAL SYSTEM

Focal Length (magnification):	125mm (1,25) 150mm (1,5) 175mm (1,75) 200mm (2,0)
Adjustment range Focusing (horizontal):	±1mm
Wavelength range:	1030 ... 1130nm
Max. laser power:	8kW
Max. beam parameter:	99% power content within 125mrad
Laser light cable receiver:	Optoskand QBH, Trumpf-D
Diameter laser light cable:	Up to 200µm

AUTO FOCUS SYSTEM

Traversing range Autofocus (focus position to TCP, TCP 1mm below nozzle):

In work piece direction (-):	18mm
In nozzle direction (+):	12mm
Correction range / offset Z-axis:	± 2mm

HOUSING

Dimensions:	92 x 117 x 359mm (depending on configuration)
Weight:	ca. 5kg (depending on configuration)
IP-Protection:	64 (When the fiber is inserted)

SUPPLY

Electric:	DC 24V / max. 4A
Process gas:	Inert and Active gases, max. 25 bar
Cooling gas:	Air, max. 5bar
Cooling circuit:	Flow min. 1,5l/min, Operating pressure max. 5bar